

THIS DRAWING IS UNPUBLISHED.

RELEASED FOR PUBLICATION

-. - .

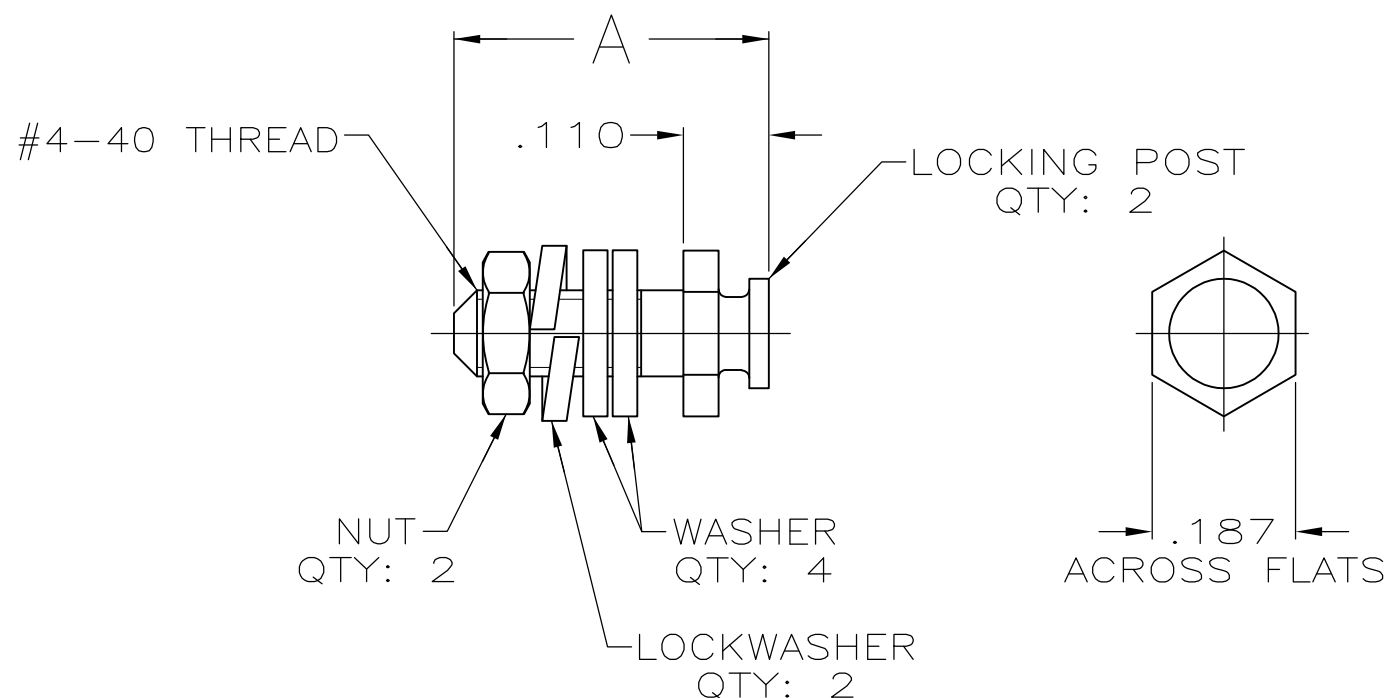
© COPYRIGHT - By -

ALL RIGHTS RESERVED.

LOC
GP DIST
00


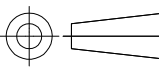
REVISIONS

P	LTR	DESCRIPTION	DATE	DWN	APVD
	P	REVISED PER ECO-11-004835	11MAR11	RK	HMR



- ① ZINC PLATED .000200-.000400 THICK, YELLOW CHROMATE.
- ② ZINC PLATED .000200-.000400 THICK, CLEAR CHROMATE.
- ③ PARTS PACKAGED UNASSEMBLED.
- ④ PARTS PACKAGED AS A UNIT KIT.
- ⑤ PARTS INDIVIDUALLY BULK PACKAGED & SHIPPED AS A UNIT PACKAGE.

⑤	①	.560	5206514-7
④	①	.560	5206514-6
④	②	.410	5206514-4
⑤	①	.410	5206514-3
④	①	.410	5206514-1
PACKAGING	FINISH	A	PART NO

THIS DRAWING IS A CONTROLLED DOCUMENT.		DWN S.WAITMAN 27JUN05	 STE TE Connectivity		
DIMENSIONS: INCHES		CHK C.ROHDE 27JUN05			
		APVD M.WALMSLEY 27JUN05	NAME LOCKING POST KIT, AMPLIMITE		
TOLERANCES UNLESS OTHERWISE SPECIFIED:		PRODUCT SPEC	RESTRICTED TO		
0 PLC ± - 1 PLC ± - 2 PLC ± - 3 PLC ± .015 4 PLC ± - ANGLES ± -		APPLICATION SPEC	SIZE	CAGE CODE	DRAWING NO
MATERIAL COLD ROLLED STEEL		FINISH SEE TABLE	A300779		C-5206514
CUSTOMER DRAWING			SCALE	SHEET	REV
			4:1	1 OF 1	P